

RJ-45

**Single Port Connector with LEDs
Integrated Magnetics 1000 Base-T**

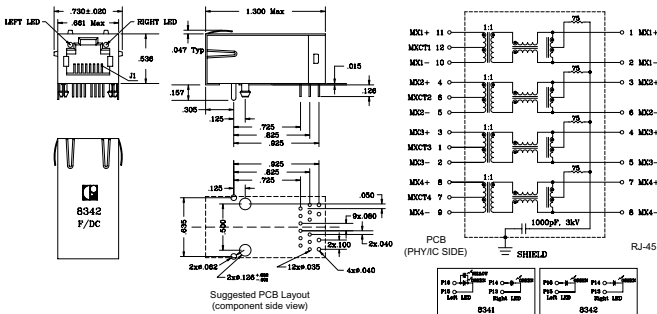
8341-8344



- Exceeds IEEE 802.3ab standard for 1000 Base-T
- Meets OCL specifications of 350µH Min with 8mADC Bias
- Contact Plating: 6µ-inch gold flashed
- Available with or without LEDs



MECHANICAL AND SCHEMATIC (All dimensions in inches)



UNLESS OTHERWISE SPECIFIED, ALL TOLERANCES ARE ±0.010
PCB LAYOUT DIMENSIONS TO BE ±0.005

ELECTRICAL SPECIFICATION @ 25°C

| Part Number | LEDs ¹ L/R | Insertion Loss (dB Typ) | | | | Return Loss (dB Typ) Load 100Ω ± 15Ω | | | Crosstalk (dB Typ) | | | Common Mode Rejection (dB Typ) | | Hi-pot (Vrms) 1mA, 1Sec |
|-------------|-----------------------|-------------------------|----------|--------|-----------|---|-----------|------------|--------------------|------------|----------|--------------------------------|--|----------------------------|
| | | 1-100 MHz | 1-10 MHz | 30 MHz | 60-80 MHz | 1-10 MHz | 30-60 MHz | 60-100 MHz | 1-50 MHz | 50-130 MHz | 1-50 MHz | 50-130 MHz | | |
| 8341 | Y-G/G | -1.2 | -20 | -16 | -12 | -40 | -35 | -30 | -30 | -20 | -20 | 1500 | | |
| 8342 | G/G | -1.2 | -20 | -16 | -12 | -40 | -35 | -30 | -30 | -20 | -20 | 1500 | | |
| 8343 | NONE | -1.2 | -20 | -16 | -12 | -40 | -35 | -30 | -30 | -20 | -20 | 1500 | | |
| 8344 | NONE | -1.2 | -20 | -16 | -12 | -40 | -35 | -30 | -30 | -20 | -20 | 1500 | | |

1. LEDs Left/Right: G = Green, Y = Yellow, Y-G = Yellow-Green

ISSUE A 03/06/03 8341-8344



229 Colonnade Road, Ottawa, Ontario, Canada K2E 7K3
Tel: (613) 226-1626 Fax: (613) 226-7124 www.filtran.com